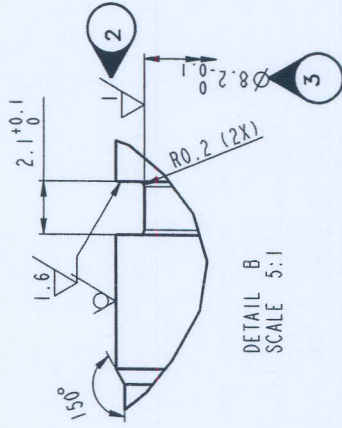
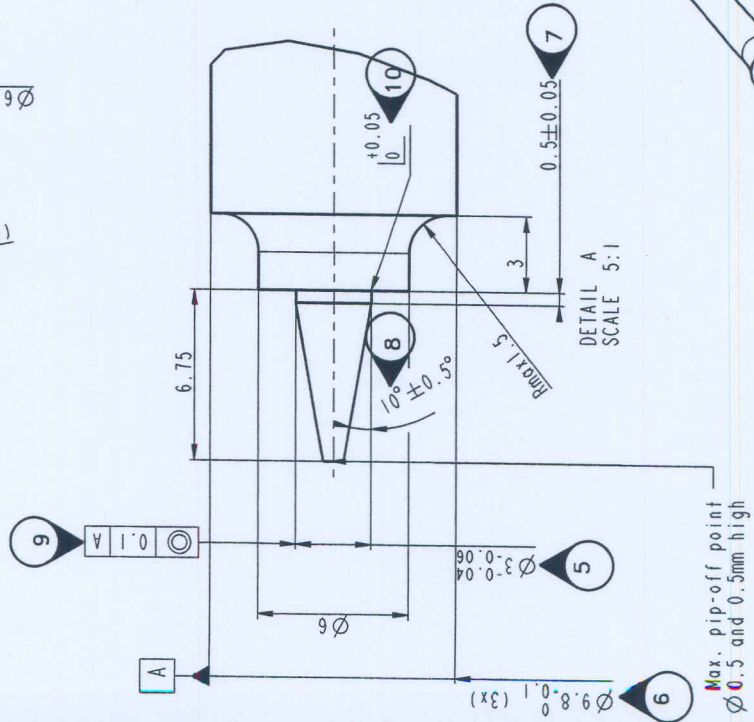
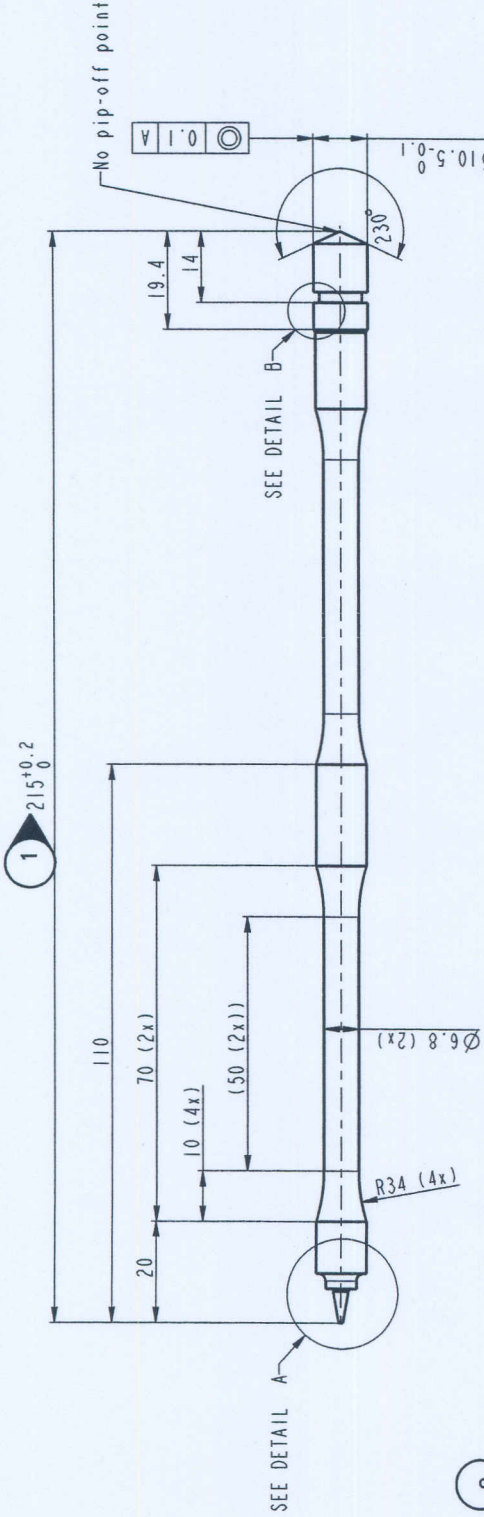
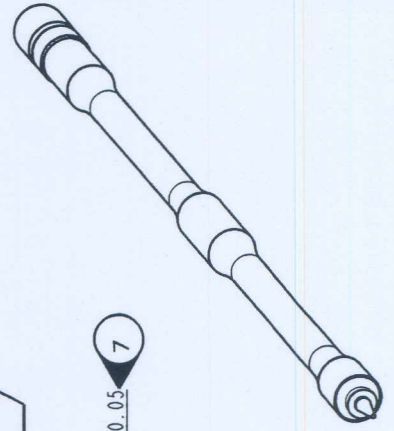


Tekeningnummer  
**D102449**



3.2 / (✓)

Remark : Burr free



Rev.	Equi	Date	Change No.	Name	Finish	Scale	1:1	3.2 / (✓)	MASS:	30 g
									Aluminium-EN-AW-2011-T6	
Form and position tolerance DIN ISO 1101							DESCRIPTION:			
Surfaces according to DIN ISO 1302							Rebound needle L215 dn3 D10			
Dimensions without tolerances DIN ISO 2768-mk							DRAWING NUMBER:			
CREATED BY:							5018-0777			
Name: Ch. Hecht							Sheet: A3			
Date: 25-05-09							1/1			
Product: 25-05-09							First production release: 26-04-2010			
CAD-system: Pro/E										

**RELEASE**  
for manufacturing

Date: 26.04.2010  
checked  
Hecht Christian  
released  
Gustafsson Toby

Initial	Version	Rev.	Release level
1	1	1	1

The copying, distribution and utilization of this document as well as the communication of its contents to others without expressed authorization is prohibited. All rights reserved in the event of the grant of patent, utility model or ornamental design registration.

This legend shall be included on any kind of reproduction of this document. The copying, distribution and utilization of this document as well as the communication of its contents to others without expressed authorization is prohibited. All rights reserved in the event of the grant of patent, utility model or ornamental design registration.

Max. pip-off point  
0.5 and 0.5mm high

