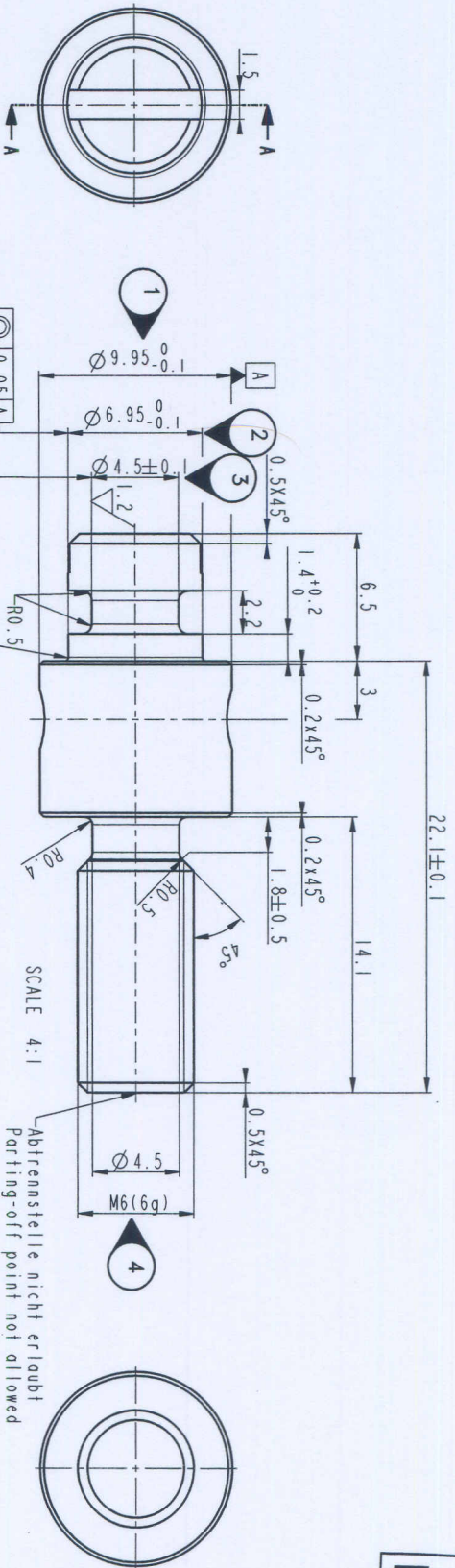


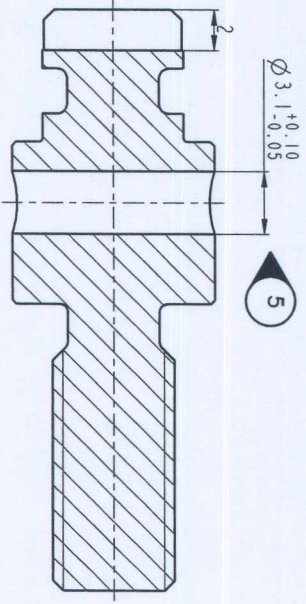
The copying, distribution and utilization of this document as well as the communication of its contents to others without expressed authorization is prohibited. All rights reserved in the event of the grant of patent, utility model or ornamental design registration. This legend shall be included on any kind of reproduction of this document.



Tekeningnummer  
**D101936/3**

SCALE 4:1  
Abtrennstelle nicht erlaubt  
Parting-off point not allowed

3	20-3-2008	taal naar Engels
2	26-4-2006	gat geheel doorgeboord
1	10-03-06	diverse afmetingen anders bemaat
Wijzigingsnr.	Datum	Omschrijving



SECTION A-A  
SCALE 4:1

Graff frei  
Burr free  
Position Ø3.2 im unkreis frei  
Position Ø3.2 free

Tolerances unless otherwise mentioned  
±0.15 ±3° ±0.1 1.6 (1.2)  
Dim. Angle Radii

Rev.	Quot	Date	Change No.	Name	Finish:	Scale:	2:1	Material:	Brass-CuZn39Pb3Zn	MASS:	9 g
E	30-10-'07	07152		M. Cuijpers	New drawing format. Language changed into English						
D	04-05-'06	06098									
C	25-04-'06	06086									
B	28-03-'06	06070									
A	20-02-'06	06043									

**MARVO**

**RELEASE**  
for manufacturing  
Date: 10.03.2008  
checked  
Lamers Geert  
released  
Plender Jan

Form and position tolerance  
Surfaces according to  
Dimensions without tolerances

Blank part:  
DESCRIPTION:  
**Rebound adjustment**  
DRAWING NUMBER:  
**4618-0522**

Intralink	Version	Rev.	Release Level	CREATED BY	Name:	R. Jacobs	DATE:	17-05-'04	First production release:	17-05-'04	CAD-system:	Pro/E
Drawing	0	e	e	Series								
Model:	0	e	e	Serie								

The copying, distribution and utilization of this document as well as the communication of its contents to others without expressed authorization is prohibited. All rights reserved in the event of the grant of patent, utility model or ornamental design registration. This legend shall be included on any kind of reproduction of this document.