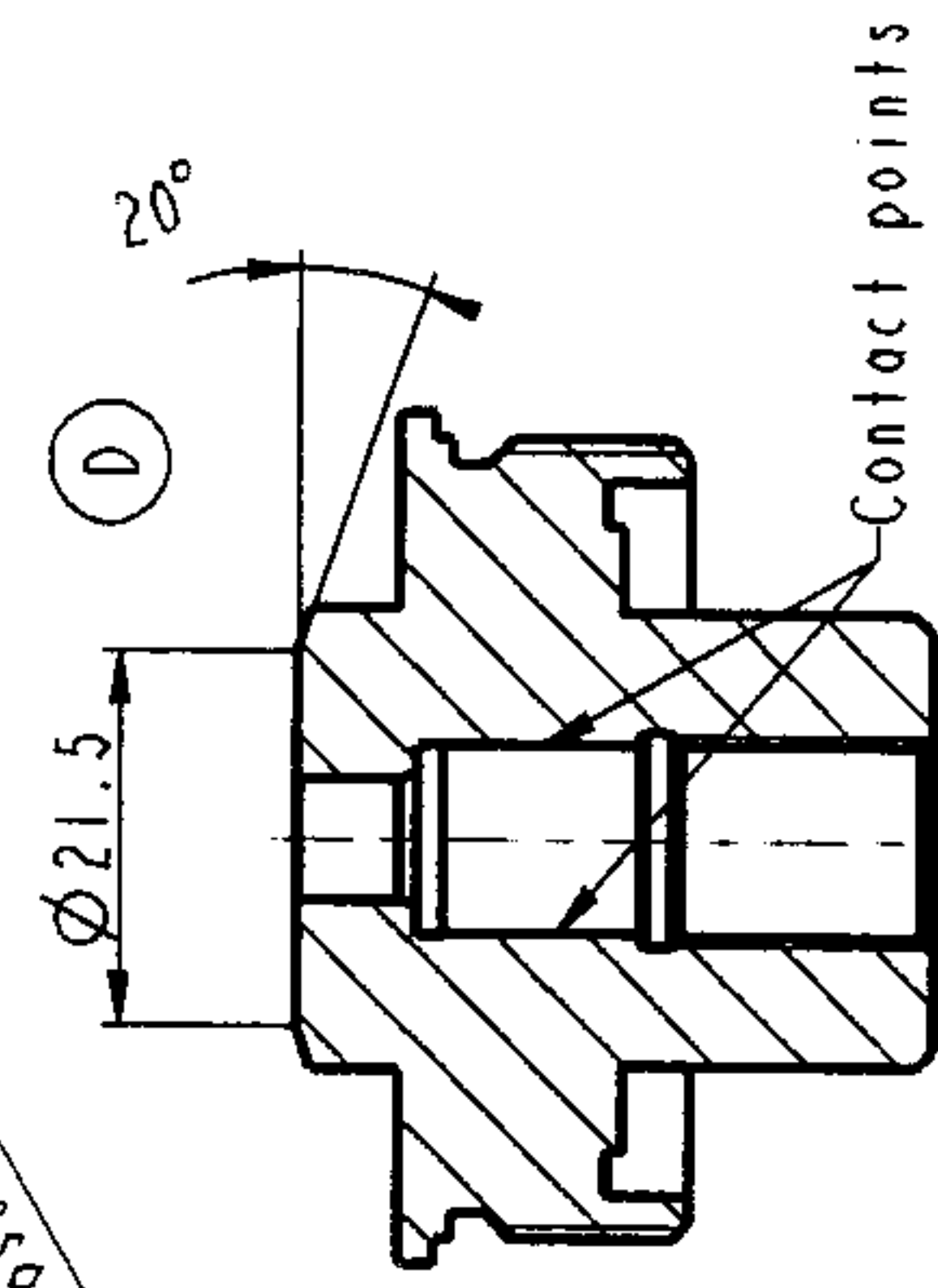
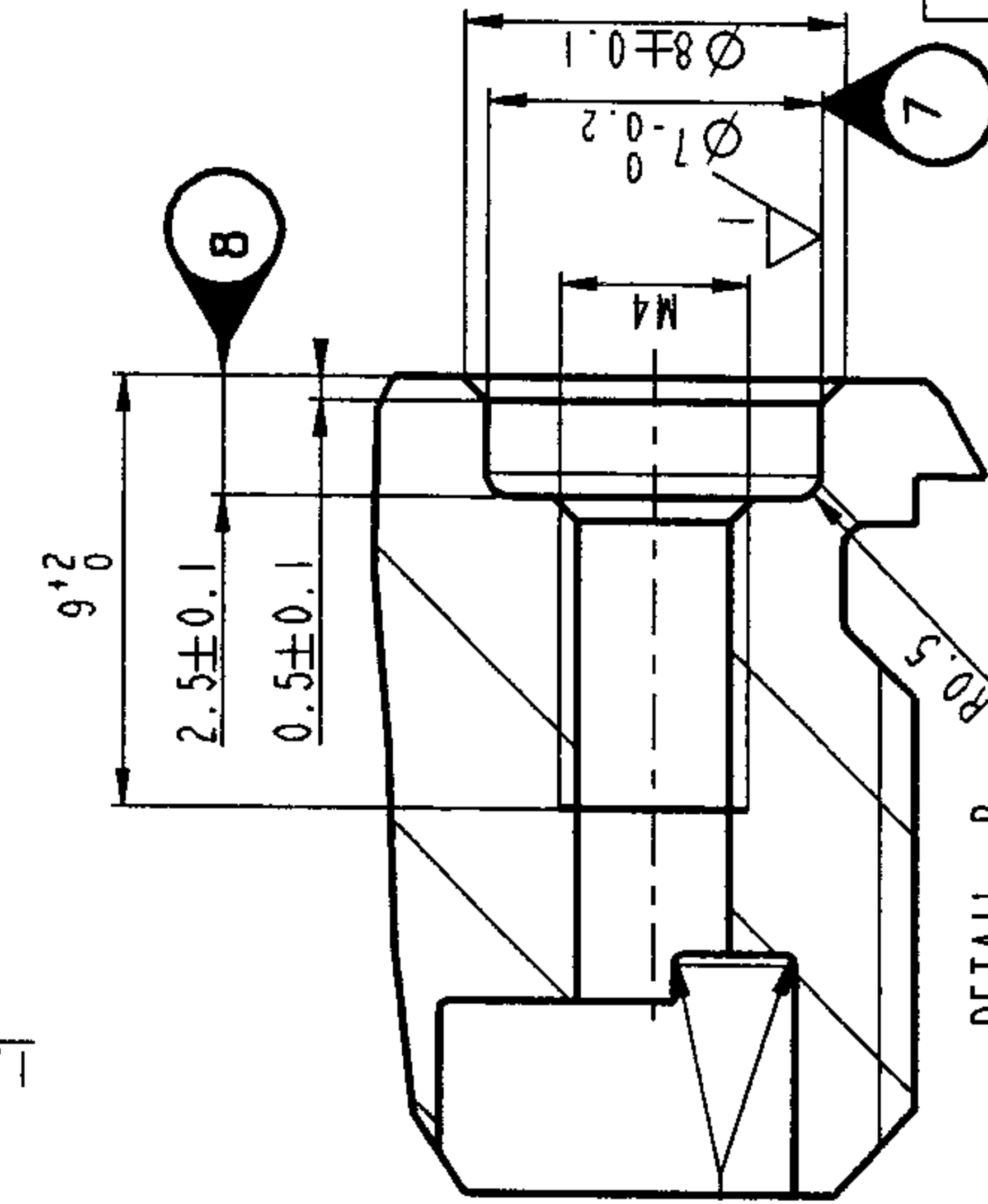
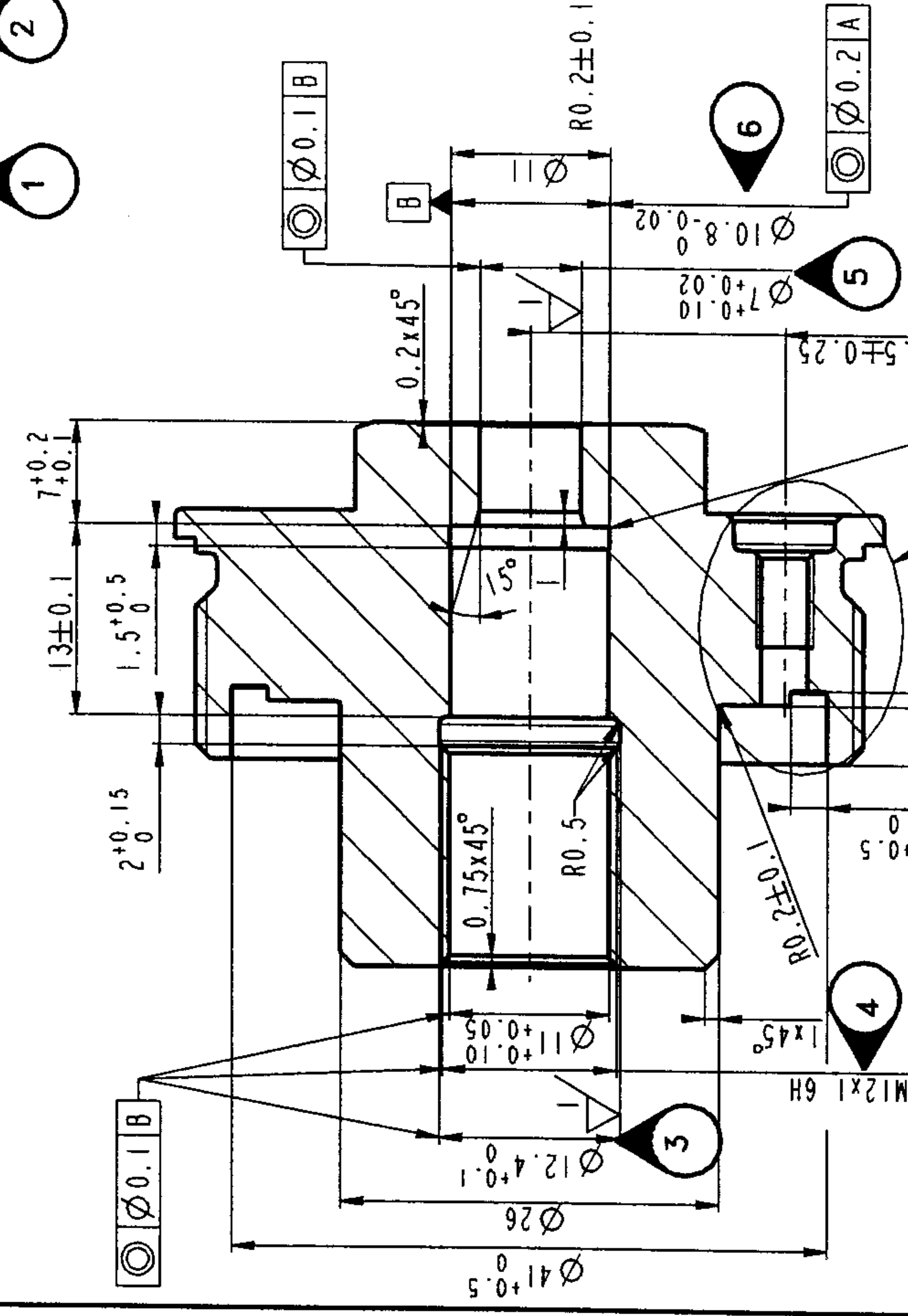
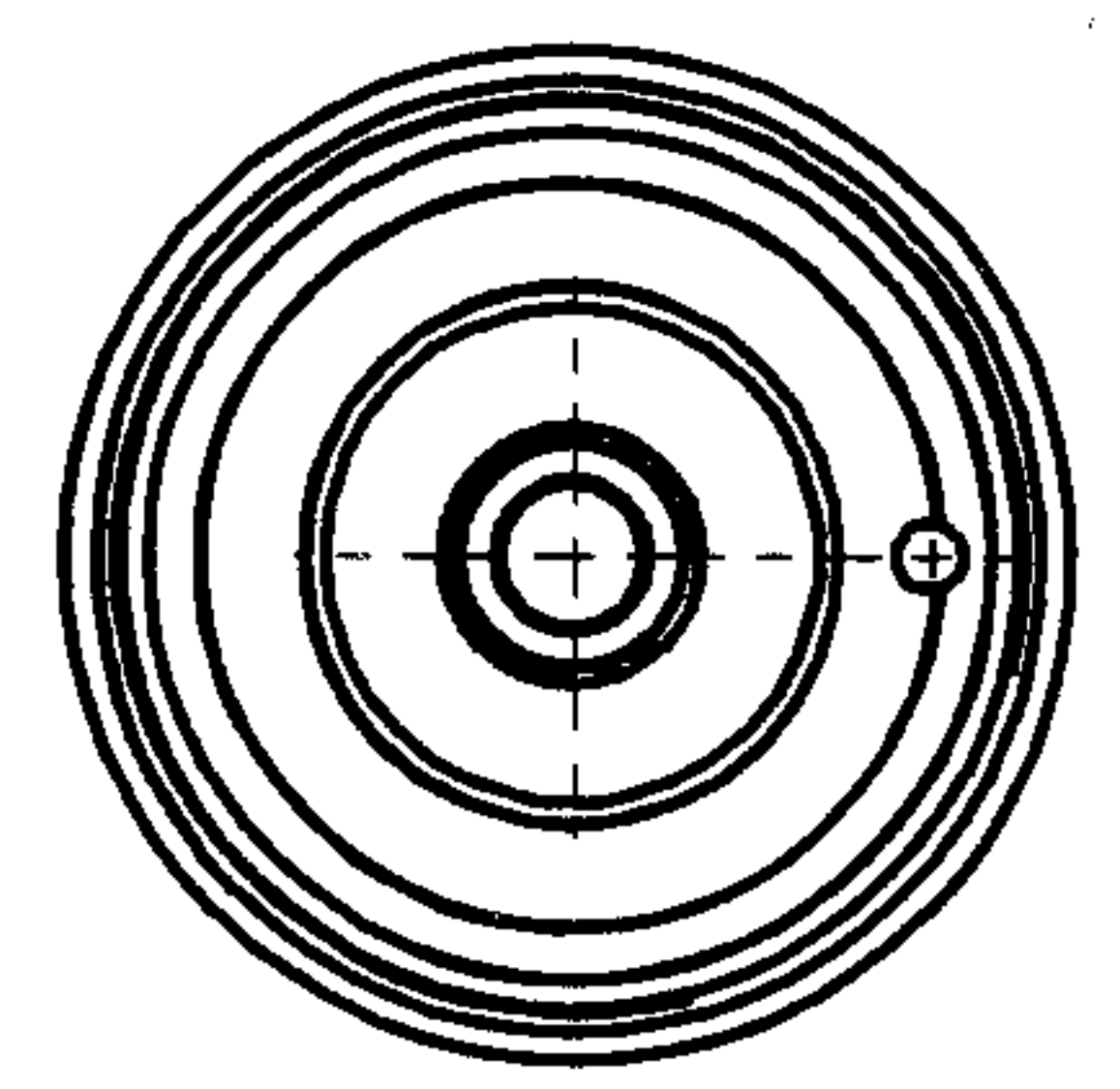
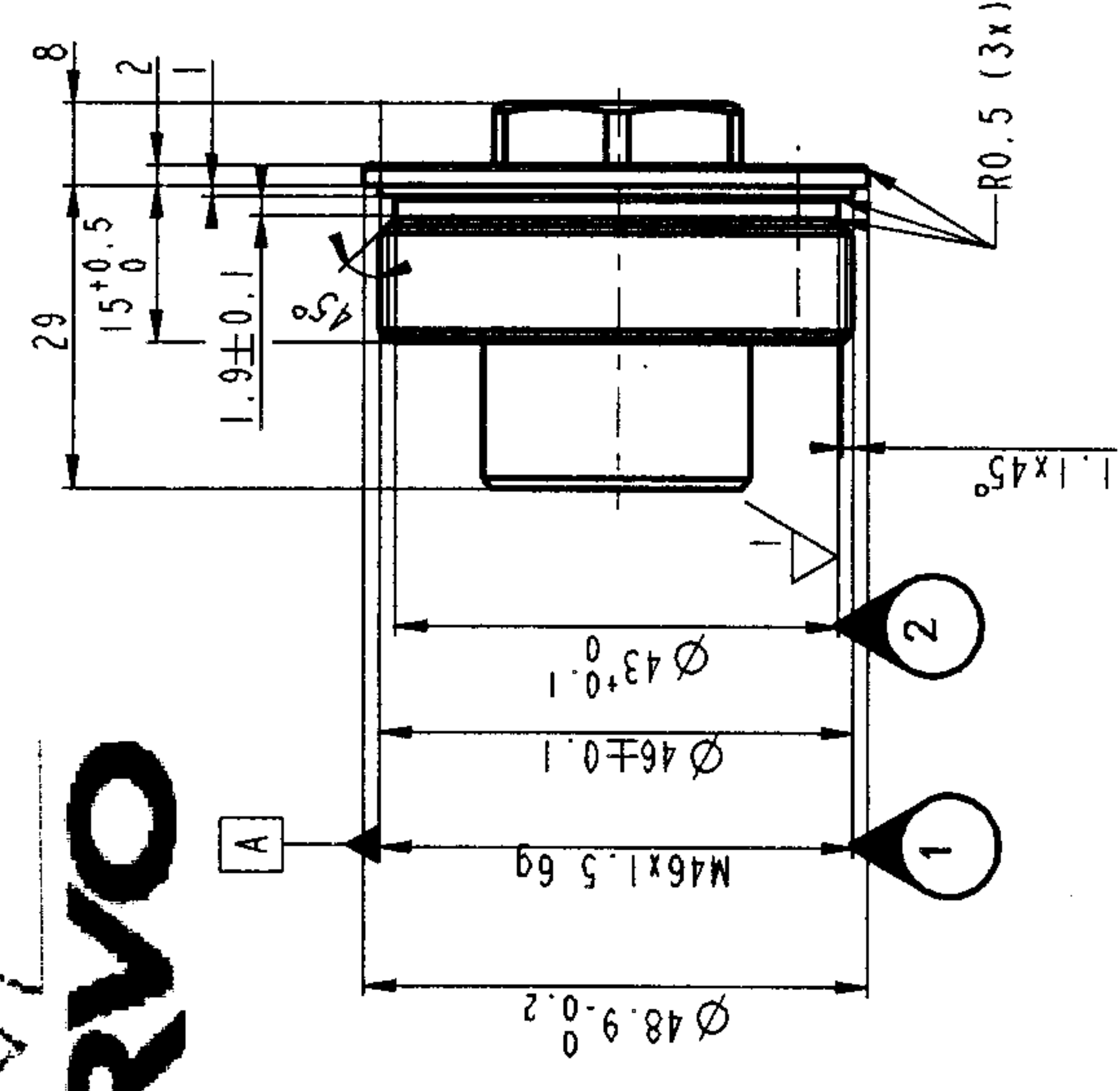
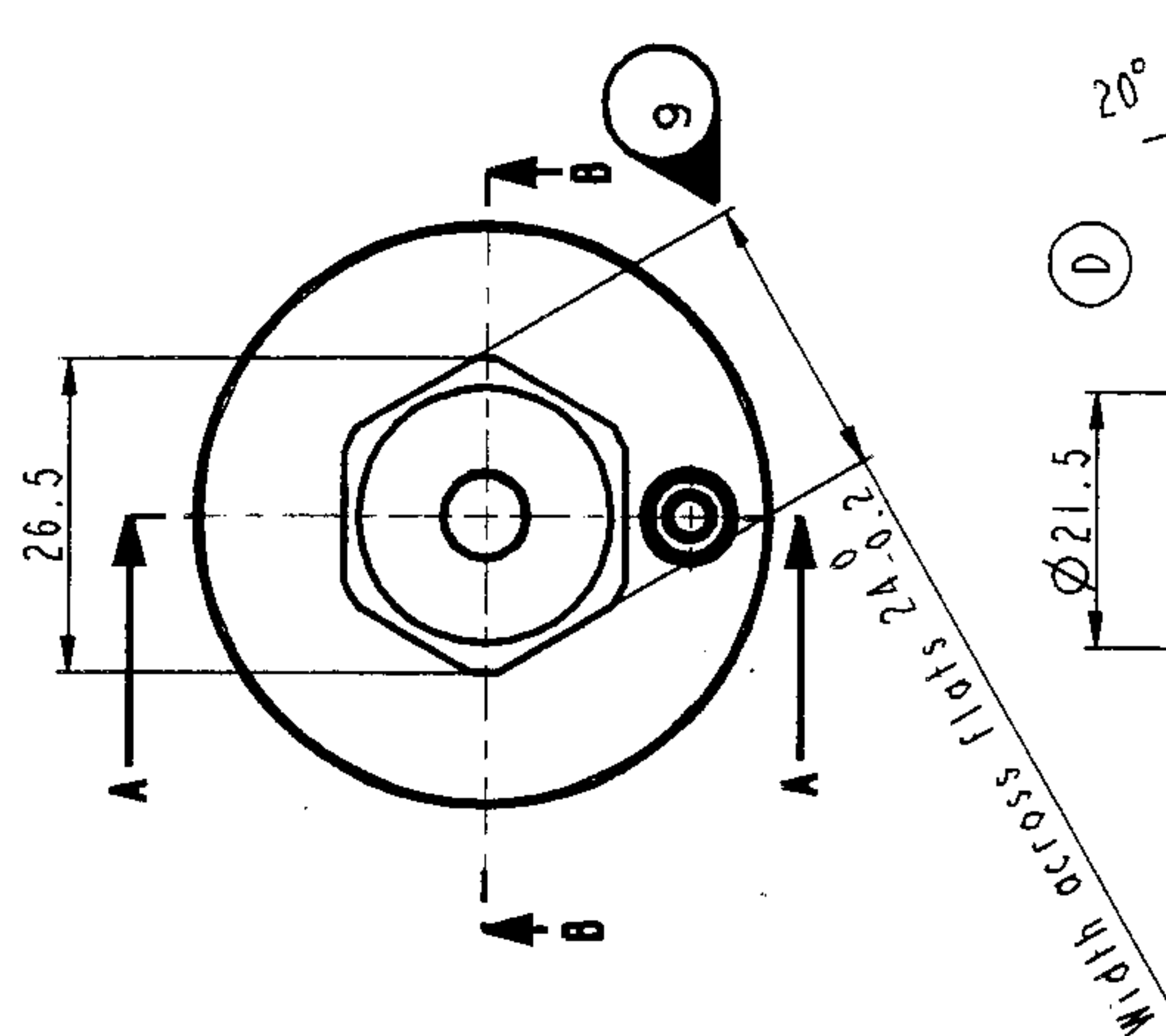


# MARVO

Tekeningnummer  
**D102333A**



**ATTENTION!**  
Third Angle  
Projection

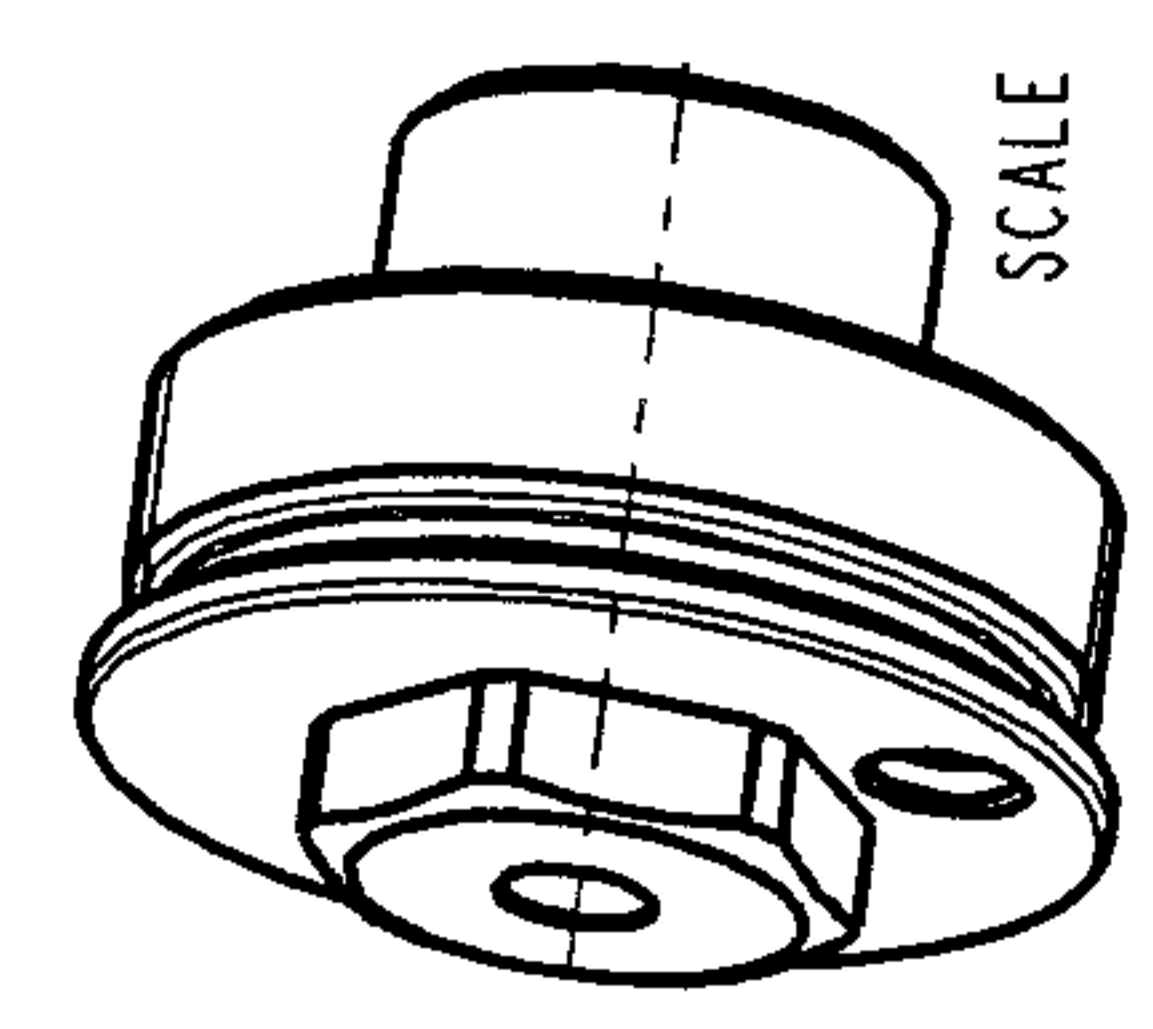
Tolerances unless otherwise mentioned

±0.15	±3	±0.1	1.6
Dim.	Angle	Radii	(√)

Rev. (qua)	Date	Change No.	Name	Description
D	22-11-12	10162	B. Pongratz	Angle changed from 15° to 20°; diameter added
C	14-10-09	09167	J. Wimmer	Material changed to 6026-T6; New drawing format
B	19-05-08	08110	P. Roelofs	Change remark to: Normal anodise with pickle
A	24-05-07	07086	M. Cuijpers	New drawing format. Changed language in English

Scale:	1:1	Third Angle	MASS:	89 g
Material:	Aluminium_EN_AW -6026-T6			
Blank part:				
DESCRIPTION:	<b>Screwcap M4x1.5</b> <b>For Ø12 spindel</b>			
Form and position tolerance				
Surfaces according to				
Dimensions without tolerances				
CREATED BY	Name: M.A. den Duden			
Initialink	Version	Rev.	Release Level	Sheet:
Drawing	0	d	0	A3
Model:	0	d	0	1/1
Date:	10-04-'06			CAD-system: Pro/E
First production release:	11-04-'06			

**RELEASE**  
for manufacturing  
Date: 02.12.2010  
checked  
Hecht Christian  
released  
Gustafson Toby



Remark: Part must be burr free  
Normal anodise with pickle. Layer thickness 8µm ± 3µm  
Color: Natural  
Dimensions are valid after anodising  
Visible part: Yes  
Contact points: See drawing  
Color sample: 4618-0558

Wijzigingsletter	Datum	Omschrijving
A	01-12-10	Hoek 20° was 15° en diameter Ø21,5 toegevoegd.
1	09-11-09	Materiaal 6026 was 2011

This legend shall be included on any kind of reproduction of this document.  
The copyright, distribution and utilization of this document as well as the  
communication of its contents to others without the expressed authorization is  
prohibited. All rights reserved in the event of the grant of patent.  
The legend shall be included on any kind of reproduction of this document.