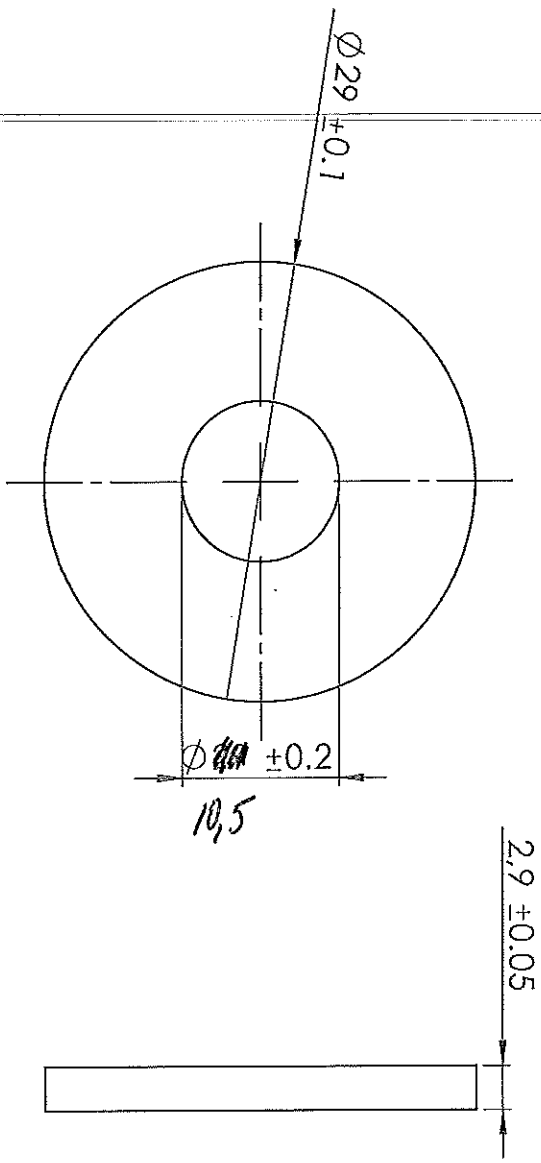


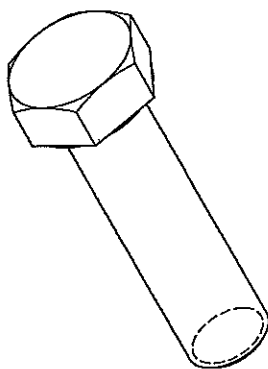
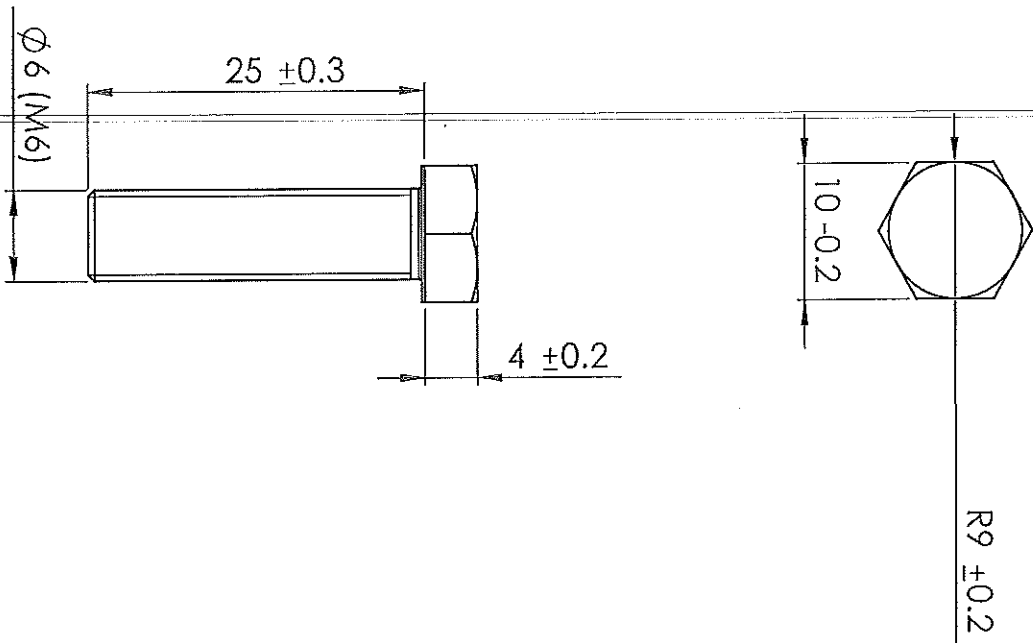
STUK-NUMMER	AANTAL	BENAMING	MATERIAAL EN OF HALFFABRIKAAT	NORMAANDUIDING OF AFMETINGEN	OPMERKING
XXXX	XXXXX	XXXXX	XXXXX	XXXXX	XXXXX

RWI/HEID

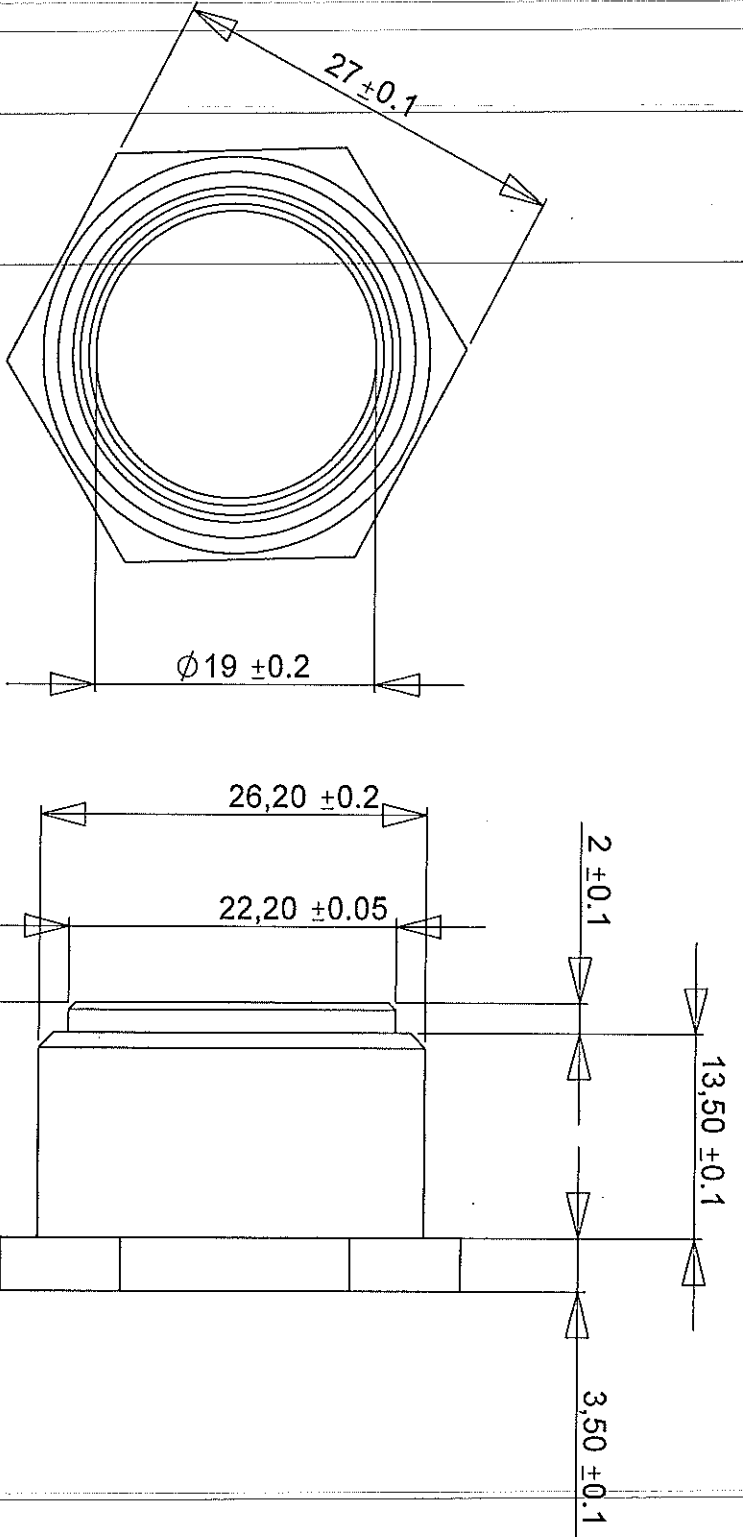
ISO-PASSINGSTELSEL

XXXXX





xxxx	xxxxx	xxxxx	xxxxx	xxxxx	xxxxx	xxxxx
STUK- NUMMER	AANTAL	BENAMING	MATERIAAL EN/OF HALF-FABRIKAAT	NORMAANDUIDING OF AFMETINGEN	OPMERKING	
RUWHEID	ISO-PASSINGSTELSEL					



SolidWorks Student License
Academic Use Only

PROPRIETARY AND CONFIDENTIAL
 THE INFORMATION CONTAINED IN THIS
 DRAWING IS THE SOLE PROPERTY OF
 <INSERT COMPANY NAME HERE>. ANY
 REPRODUCTION IN PART OR AS A WHOLE
 WITHOUT THE WRITTEN PERMISSION OF
 <INSERT COMPANY NAME HERE> IS
 PROHIBITED.

APPLICATION		DO NOT SCALE DRAWING		DIMENSIONS ARE IN INCHES TOLERANCES: FRACTIONAL ± ANGULAR: MACH ± BEND ± TWO PLACE DECIMAL ± THREE PLACE DECIMAL ±		DRAWN	NAME	DATE	<COMPANY NAME>
NEXT ASSY	USED ON	FINISH	MATERIAL	CHECKED	ENG APPR.				
				MFG APPR.	Q.A.				
				COMMENTS:					
				A.Visser					
SIZE	DWG. NO.	SCALE	WEIGHT	SHEET 1 OF 1	REV.				