

Naam .....

Klas .....

Formule  $A+ B+ C+C- B- Tt A-$  (3x)  $NST = C- B- A-$

Gelijke reeksen

- Set counter =  $a_0 \cdot g$  <sup>trigger</sup> ~~na elke~~ <sub>cycles</sub>
- Reset counter =  $i \cdot 1 \cdot 0$
- Set timer =  $b_0 \cdot g$
- Set geheugen =  $c_1$
- Reset geheugen =  $c_0 \cdot g$   $a_0 \cdot g$
- Set nst =  $\frac{NST}{NST}$
- Reset nst =  $\frac{NST}{NST}$

$$A+ = a_0 \cdot g \cdot NST$$

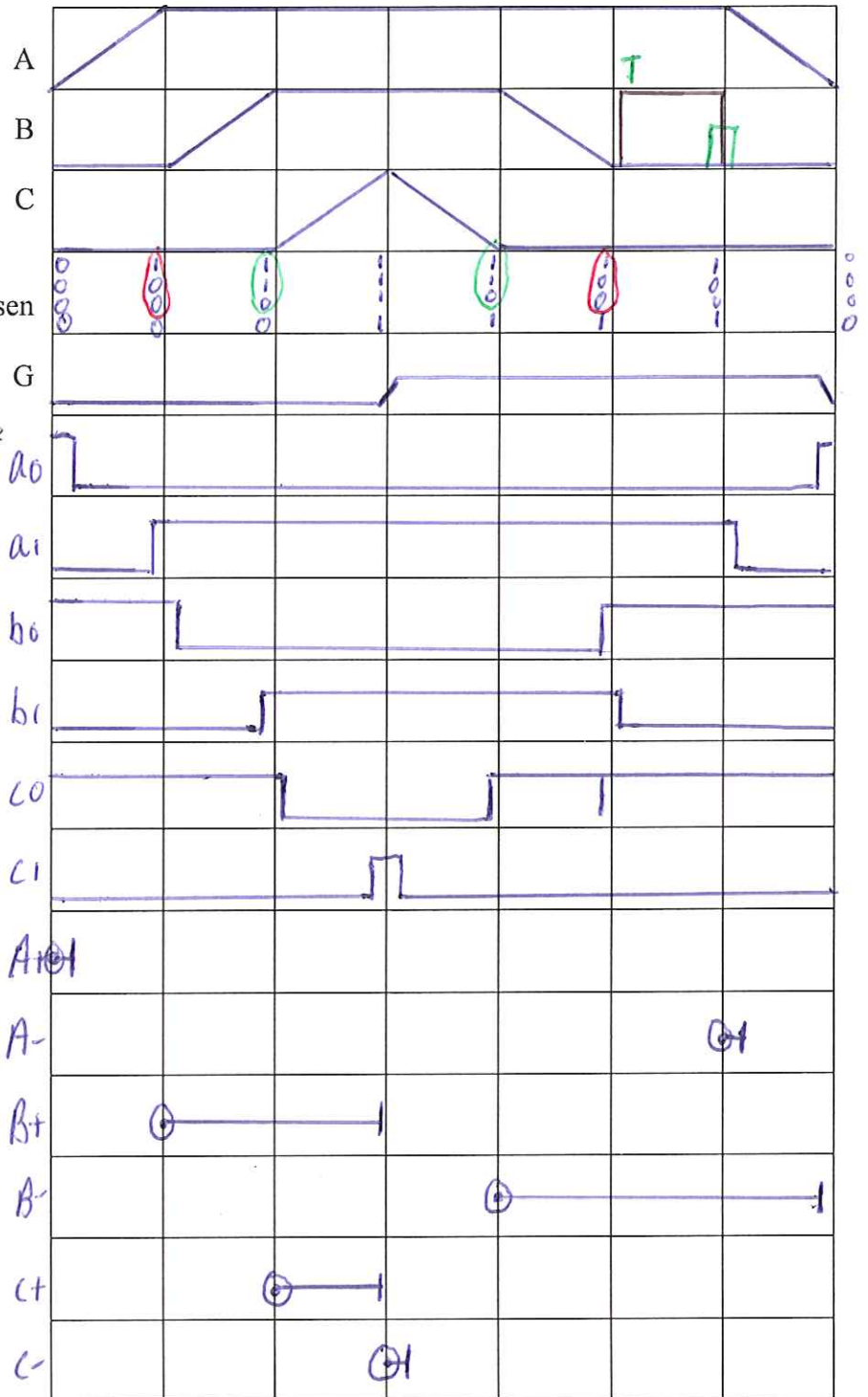
$$A- = t \cdot g + NST \cdot c_0 = b_0$$

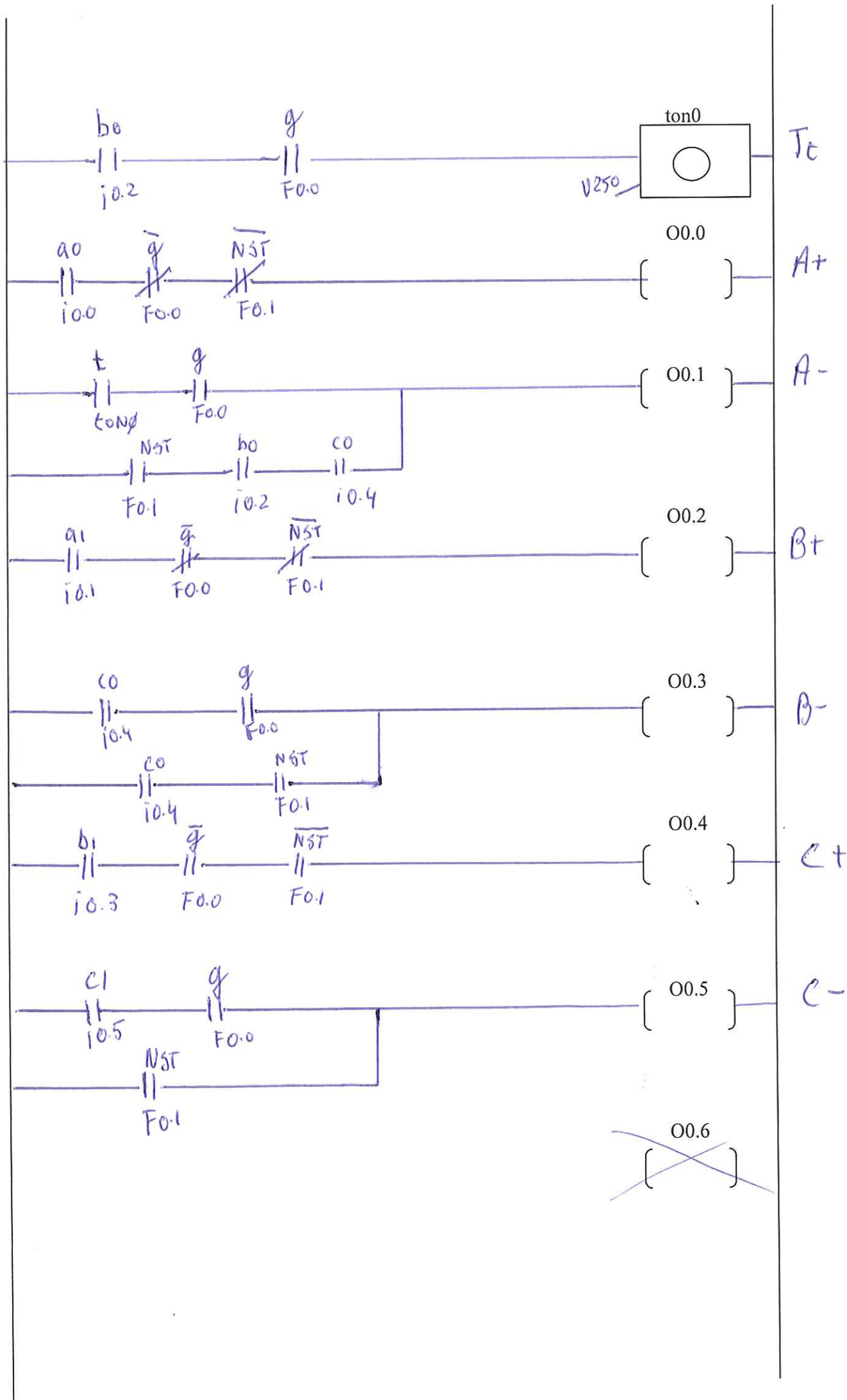
$$B+ = a_1 \cdot g \cdot NST$$

$$B- = c_0 \cdot g + NST \cdot c_0$$

$$C+ = b_1 \cdot g \cdot NST$$

$$C- = c_1 \cdot g + NST$$





Naam .....

Klas .....

### Allocation list

I0.0 = a0	O0.0 = A+	Ton0 = timer_0
I0.1 = a1	O0.1 = A-	F0.0 = geheugen_1
I0.2 = b0	O0.2 = B+	F0.1 = nst geheugen
I0.3 = b1	O0.3 = B-	C0 = count_0
I0.4 = c0	O0.4 = C+	
I0.5 = c1	O0.5 = C-	
I0.6 = start		
I0.7 = nst		
I1.0 = .....		

